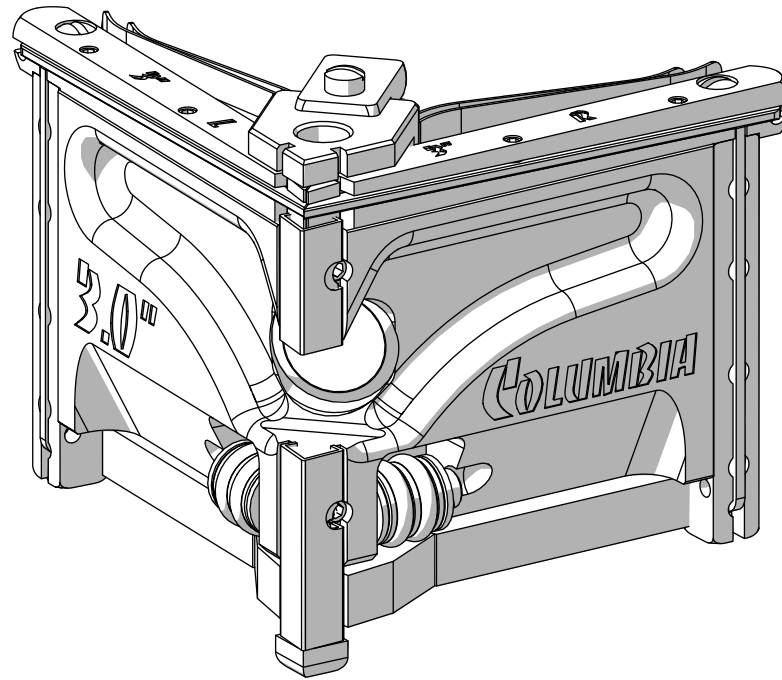
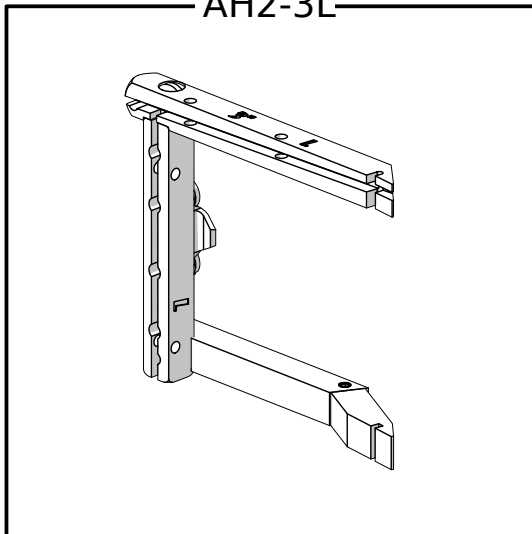


COLUMBIA TAPING TOOLS
3" ANGLE HEAD SUB-ASSEMBLIES 2022

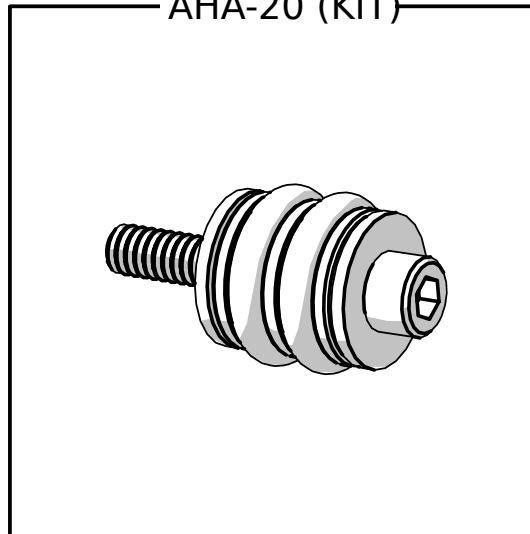
NEED ASSISTANCE?
CALL 1 800 663 8121



AH2-3L



AHA-20 (KIT)



AH2-3R

