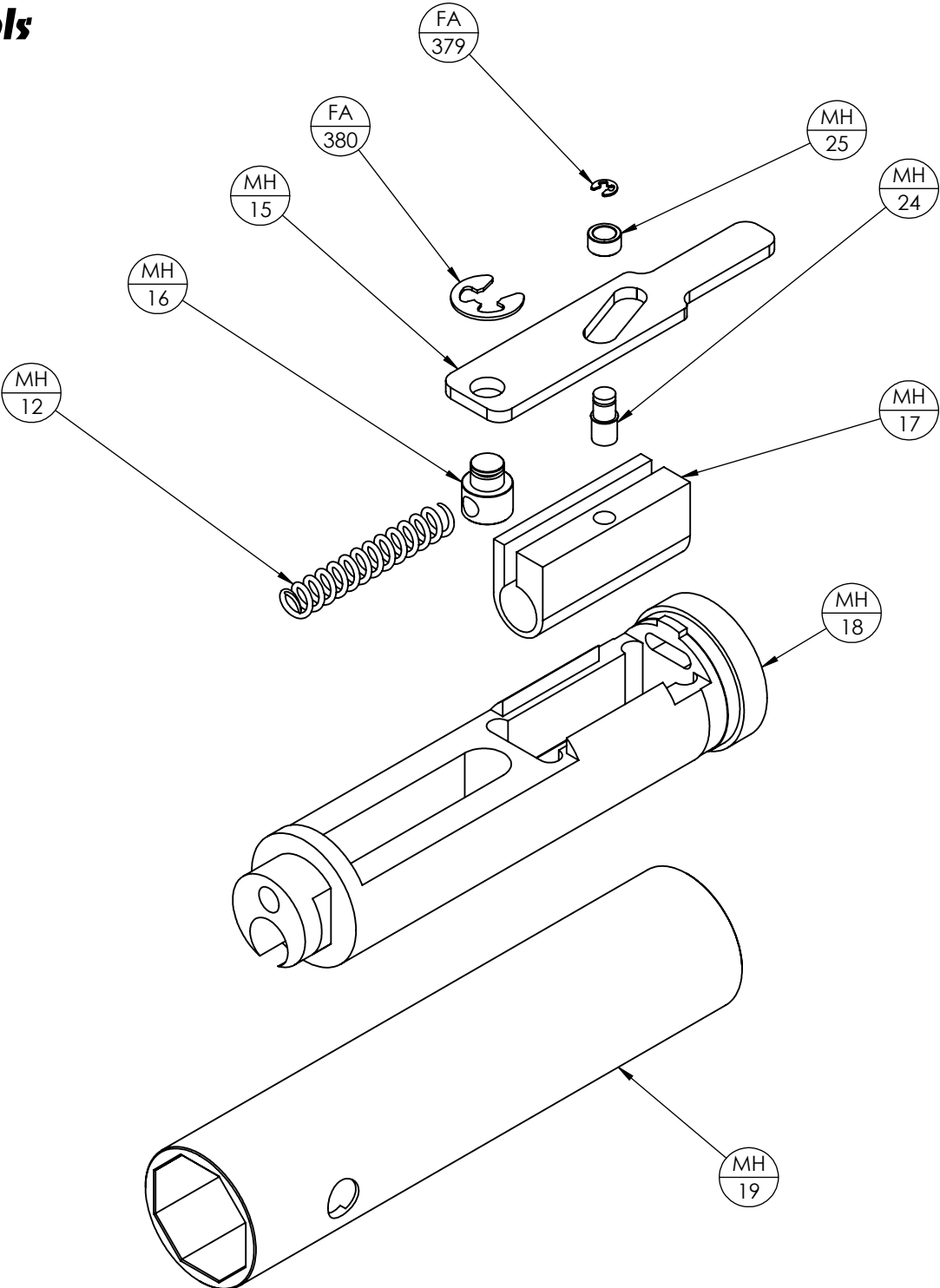


# Columbia Taping Tools

## Matrix Handle Pinchbox Assembly



**Need Assistance?**

**1.800.663.8121  
www.columbiaf-tools.com**