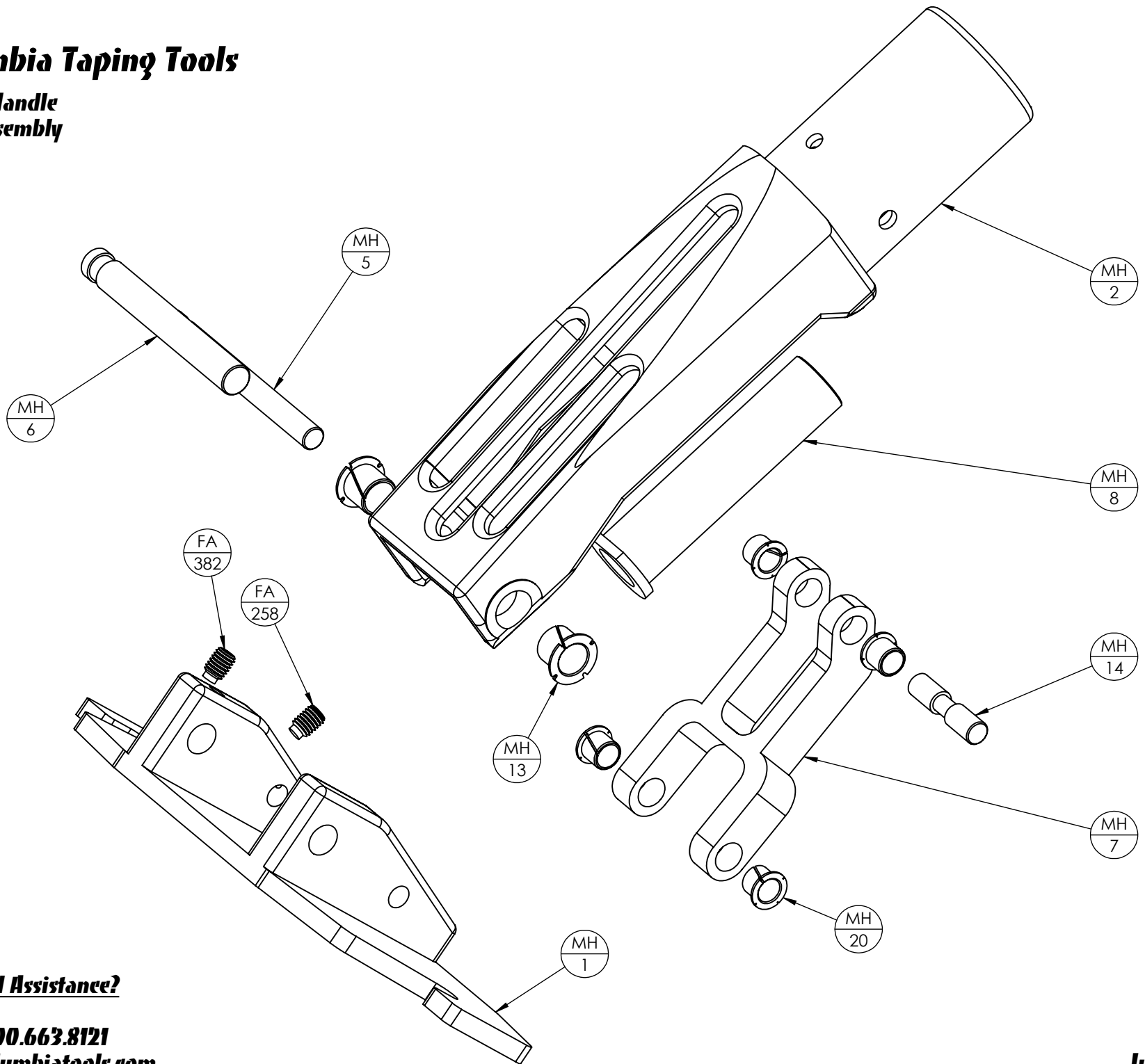


# Columbia Taping Tools

## Matrix Handle Head Assembly



**Need Assistance?**

**1.800.663.8121**  
**[www.columbiatools.com](http://www.columbiatools.com)**

**June 2019**